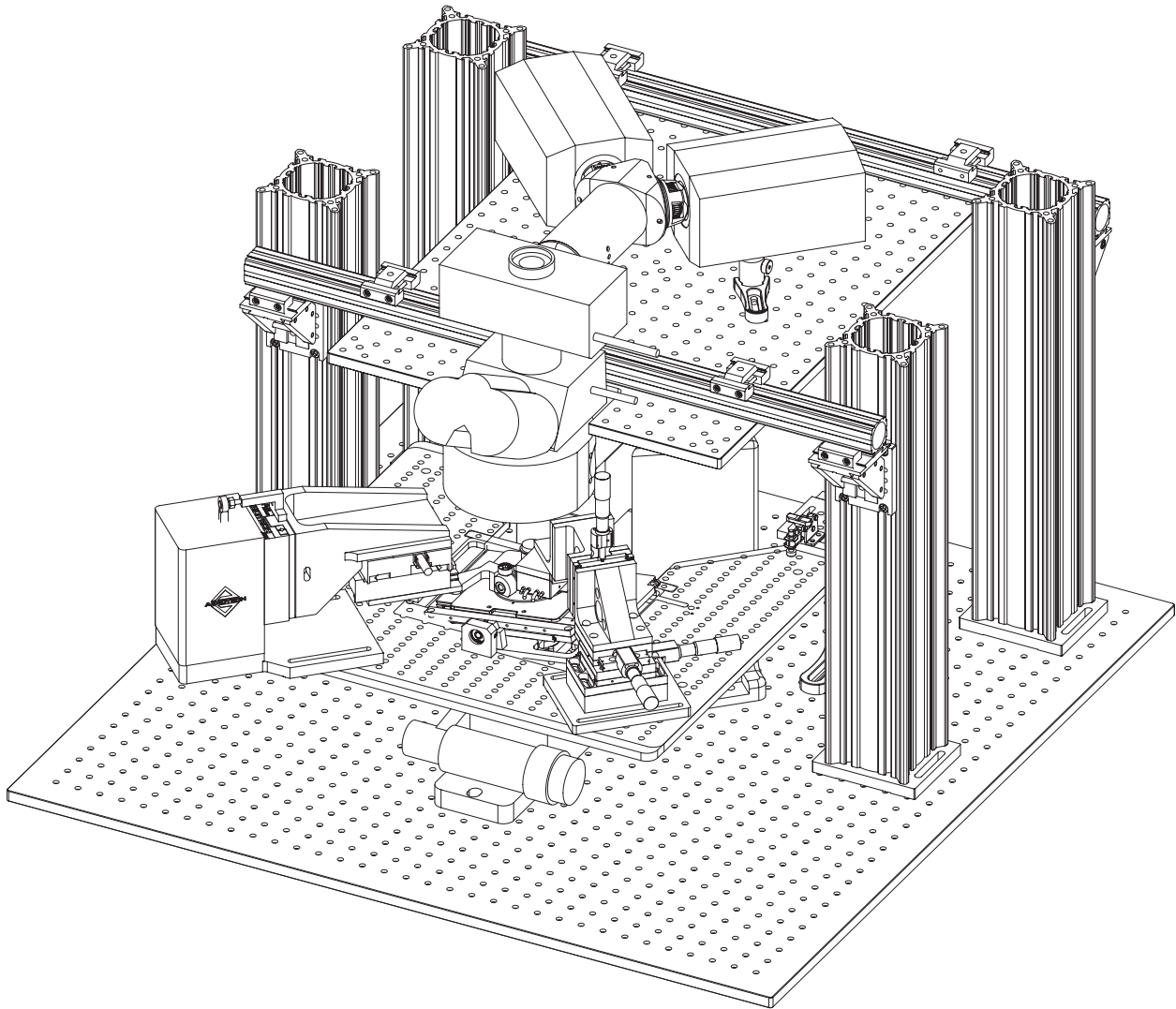


Ipheion Development Corp.  
18471 Cattail Spring Dr.  
Leesburg, VA 20176  
240-281-1619  
www.ipheion.biz

## Project Showcase

---



### Accessorized Upright Microscope

A stock Olympus BX51WI upright microscope was fitted with

- a  $\pm 5^\circ$  tiltable sample stage
- a high-precision motion-controlled mechanical stimulator for a single *C. elegans* nematode under observation

- a high-precision manual stimulator
- dual cameras mounted for high mechanical stability for versatile calcium ion imaging of the specimen's brain while subject to mechanical stimuli.

**Client:** Janelia Farm Research Campus of the Howard Hughes Medical Institute.

**Employed instrumentation:** precision motion control, scientific cameras, imaging path splitter.