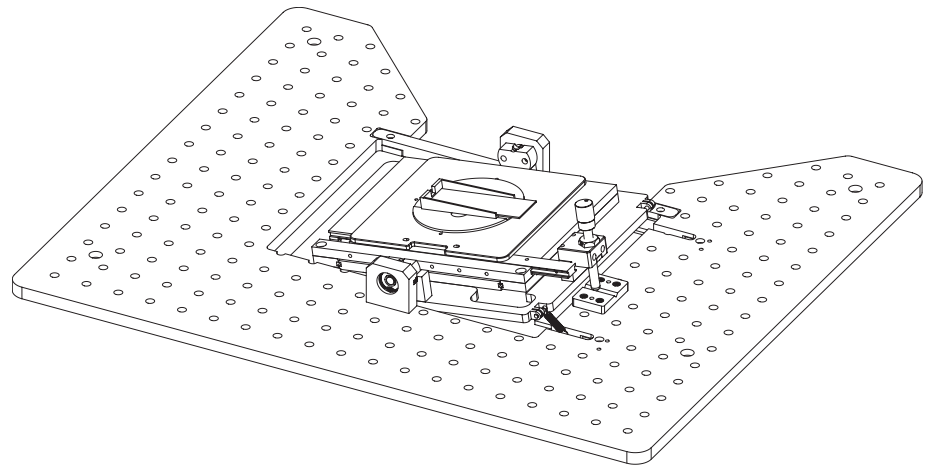


Ipheion Development Corp.  
18471 Cattail Spring Dr.  
Leesburg, VA 20176  
240-281-1619  
www.ipheion.biz

## Project Showcase

---



### **Tiltable $xy$ -Stage for a Microscope**

This  $\pm 5^\circ$  tiltable sample stage assembly uses a customized Meiji Techno  $xy$ -stage and pivots it around a horizontal axis in the  $xz$ -plane. This allows the illumination of the sample, a *C. elegans* worm,

from the left with a horizontal light sheet, while the worm is submerged in water. It was mounted on a stock Olympus BX51WI upright microscope. The tapped holes allow the mounting of additional accessories.

**Client:** Janelia Farm Research Campus of the Howard Hughes Medical Institute.

**Employed technologies:** prefab mechanical components, 3D prints.